



CME 423 VTR.



2 radiant rings.

- Vitroceramic hob.
- 1 x 3.5 kW square plate, 300 x 300 mm.
- 1 x 1.2 kW ring, Ø 140 mm.
- Total power: 4.7 kW.
- Electric supply: 230 V single phase.
- Supplied without shelves.
- Open bay.

CME 423 VTR

W 400 - D 650 - H 900

Warming cabinet option: includes shelves and 1 oven rack.

Door with insulated inner door.

Power of the heating element: 1 kW.

Electric supply: 230 V single phase /400V + N + E.

OAC 400

Door option.

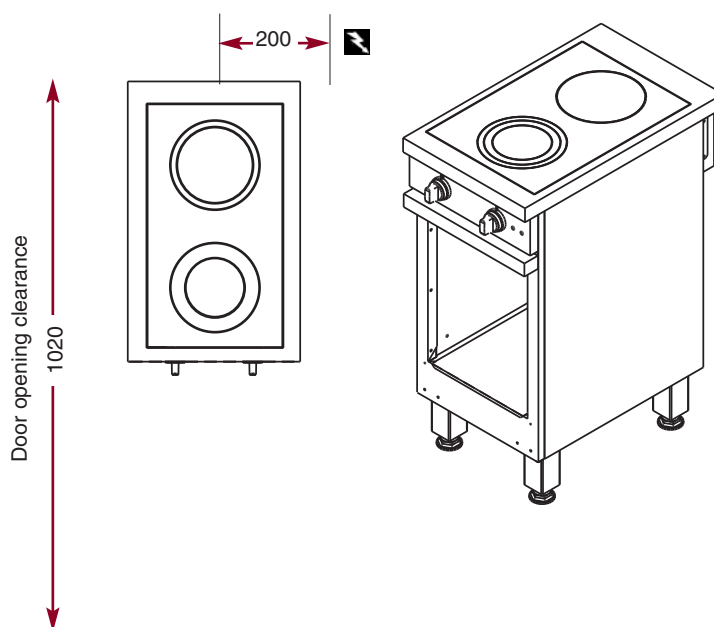
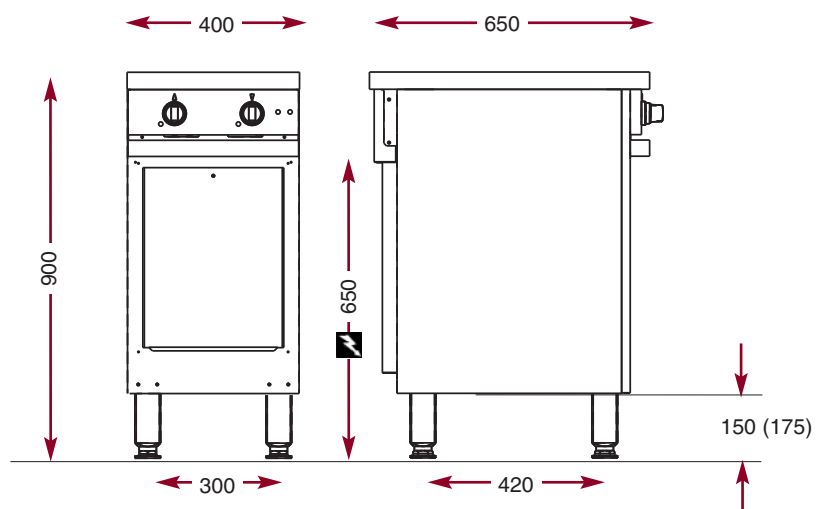
CPM 400

Shelving supports option - 5 levels - takes
Gastronorm 1/1 containers.

ECH 400

2 radiant rings

CME 423 VTR



 Electrical connection

Door opening clearance
1020

AMBASSADE
D E F R O U R G O G N E

The Chef's Choice.

N° 40 - 2